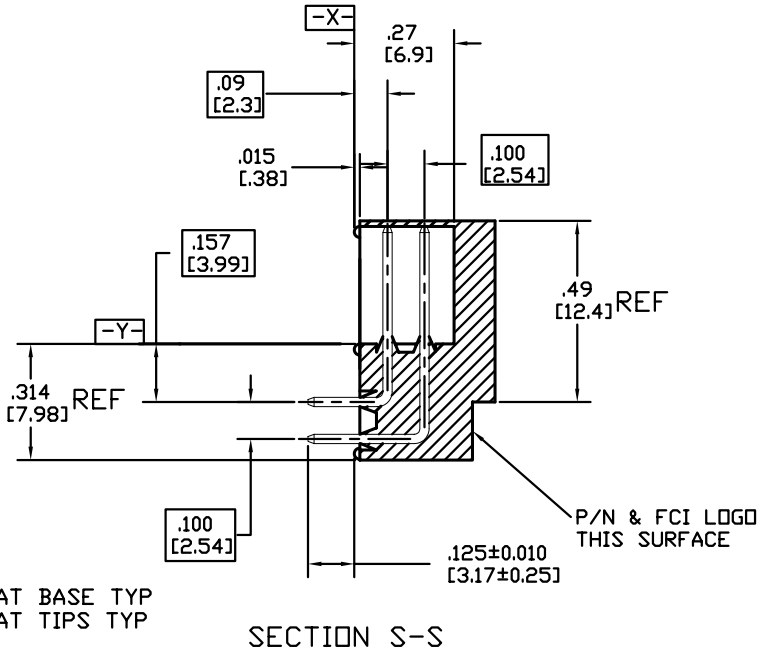
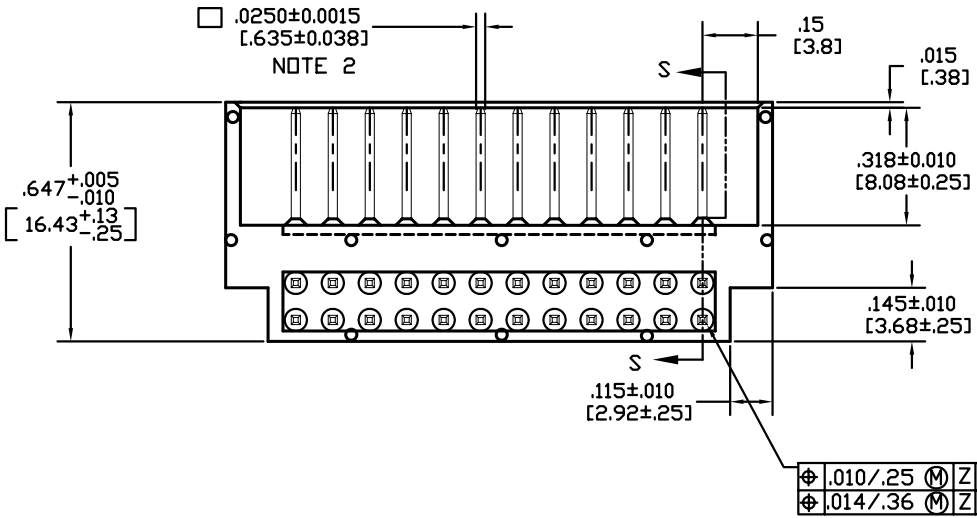
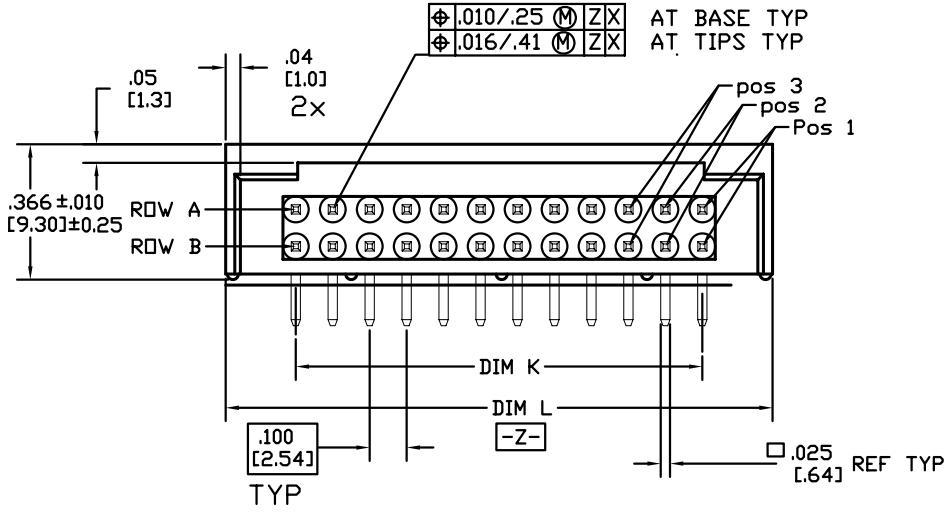


Tous droits strictement reserves. Reproduction ou communication a des tiers interdite sous quelque forme que ce soit sans autorisation ecrite du proprietaire. Propriete de c FCI. Droits de reproduction FCI.

All rights strictly reserved. Reproduction or issue to third parties in any form whatever is not permitted without written authority from the proprietor. Property of FCI. Copyright FCI.

PRODUCT NUMBER
SEE TABLE



mat'l. code				tolerances unless otherwise specified				CUSTOMER COPY		 www.fciconnect.com	
ltr	ecn no	dr	date	linear	.XX±.01/.X±.3			projection	title		
M	V03-0413	GJP	4/8/03		.XXX±.005/.XX±.13				.100 X .100 RT HDR ASS'Y		
N	V05-0891	DAI	10/10/05		.XXXX±.0020/.XXX±.051						
				angles	0° ±2°			 INCH/MM	product family		code
				dr	E J HALEY	6-22-87	HEADERS		213		
				enr	R FROST	6-22-87	size		dwg no		
				chr	R FROST	6-22-87	scale		sheet		
				appd	R FROST	6-22-87	A		65895		
sheet index	revision sheet	N	N	N							
		1	2	3							

ACAD

PDM: Rev:N

STATUS: Released


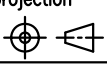
Printed: Nov 06, 2006

cage code
22526

Tous droits strictement reserves. Reproduction ou communication a des tiers interdite sous quelque forme que ce soit sans autorisation ecrite du proprietaire. Propriete de c FCI. Droits de reproduction FCI.

All rights strictly reserved. Reproduction or issue to third parties in any form whatever is not permitted without written authority from the proprietor. Property of FCI. Copyright FCI.

PRODUCT NO	NO OF POS	DIM L	DIM K	POSITIONS POLARIZED		PLATING	LF OPTION
				ROW - A	ROW - B		
65895-001	2X12	1.480/37.59	1.100/27.94	6,7	6,7	30μ"/.76μ Au OVER 50μ"/1.27μ Ni	↑
↑ -002	2X20	2.280/57.91	1.900/48.26	19	NONE	↑	
-003	2X26	2.880/73.15	2.500/63.50	6,7,13,14,17,20,21	6,7,13,14,20,21		
-004	2X5	.780/19.81	.400/10.16	NONE	NONE		
-005	2X5	.780/19.81	.400/10.16	NONE	3		↓
-006	2X12	1.480/37.59	1.100/27.94	6,7,8	3,6,7		30μ"/.76μ Au OVER 50μ"/1.27μ Ni
-007	2X5	.780/19.81	.400/10.16	NONE	NONE	120μ"/3.05μ TIN OVER 50μ"/1.27μ Ni	
-008	2X12	1.480/37.59	1.100/27.94	1,6,7	6,7,10	30μ"/.76μ Au OVER 50μ"/1.27μ Ni	
-009	2X15	1.780/45.21	1.400/35.56	NONE	NONE	↑	
-010	2X12	1.480/37.59	1.100/27.94	6,7	3,6,7,11		
-011	2X13	1.580/40.13	1.200/30.48	NONE	NONE		
-012	2X20	2.280/57.91	1.900/48.26	NONE	NONE		NOTE 5
-013	2X25	2.780/70.61	2.400/60.96	NONE	NONE	↓	
-014	2X6	.880/22.35	.500/12.70	NONE	NONE		
-015	2X17	1.980/50.29	1.600/40.64	NONE	NONE	30μ"/.76μ Au OVER 50μ"/1.27μ Ni	
-016	2X12	1.480/37.59	1.100/27.94	6,7	6,7	30μ"/.76μ GXT OVER 50μ"/1.27μ Ni	
-017	2X20	2.280/57.91	1.900/48.26	19	NONE	↑	
-018	2X26	2.880/73.15	2.500/63.50	6,7,13,14,17,20,21	6,7,13,14,20,21		
-019	2X5	.780/19.81	.400/10.16	NONE	NONE		
-020	2X5	.780/19.81	.400/10.16	NONE	3		
-021	2X12	1.480/37.59	1.100/27.49	6,7,8	3,6,7	↓	
-022	2X12	1.480/37.59	1.100/27.94	1,6,7	6,7,10		
-023	2X15	1.780/45.21	1.400/35.56	NONE	NONE		
-024	2X12	1.480/37.59	1.100/27.94	6,7	3,6,7,11		
-025	2X6	.880/22.35	.500/12.70	NONE	NONE		
↓ -026	2X25	2.780/70.61	2.400/60.96	NONE	NONE		
65895-027	2X20	2.280/57.91	1.900/48.26	NONE	NONE	30μ"/.76μ GXT OVER 50μ"/1.27μ Ni	↓

mat'l. code				tolerances unless otherwise specified			CUSTOMER COPY		 www.fciconnect.com	
ltr	ecn no	dr	date	linear	.XX±.01/.X±.3		projection	title		
N					.XXX±.005/.XX±.13			.100 X .100 RT HDR ASS'Y		
					.XXX±.0020/.XXX±.051					
				angles	0° ±2'		 INCH/MM	product family HEADERS		code
				dr	E J HALEY	6-22-87		size		213
				engr	R FROST	6-22-87		dwg no		sheet
				chr	R FROST	6-22-87		A 65895		2 of
				appd	R FROST	6-22-87	scale			
							1:1			
sheet index	revision sheet									

PRODUCT NUMBER
SEE TABLE

NOTES


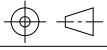
1. HOUSING MATERIAL:
20% GLASS FILLED POLYESTER, THERMOPLASTIC.
FLAME RETARDANT PER UL 94V-0. COLOR: BLACK

THIS PRODUCT WILL WITHSTAND EXPOSURE TO 260° C
TEMPERATURE FOR 15 SECONDS IN A WAVE SOLDER
APPLICATION WITH A .60 [1.5mm] THICK PCB.
- ② TERMINAL MATERIAL: PHOS BRONZE
PLATING ON TIP OPTIONAL.
3. 1° MAX DRAFT PERMITTED ON ALL SURFACES
UNLESS OTHERWISE SPECIFIED.
4. GXT PLATED, PRODUCT HAS GOLD FLASH.
5. ADD SUFFIX LF AT END OF PART NUMBER FOR
LEAD FREE OPTION.
6. THIS PRODUCT MEETS EUROPEAN UNION DIRECTIVES
AND OTHER COUNTRY REGULATIONS AS DESCRIBED IN
GS-22-008.
7. THIS PRODUCT MAY HAVE 100% TIN PLATING IN THE
INTERFACE AND HAS NOT BEEN TESTED FOR WHISKER
GROWTH IN ALL INTERCONNECT ENVIRONMENTSS.

Tous droits strictement reserves. Reproduction ou communication a des tiers interdite sous quelque forme que ce soit sans autorisation ecrite du proprietaire. Propriete de c FCI. Droits de reproduction FCI.



All rights strictly reserved. Reproduction or issue to third parties in any form whatever is not permitted without written authority from the proprietor. Property of FCI. Copyright FCI.

mat'l. code				tolerances unless otherwise specified			CUSTOMER COPY	 www.fciconnect.com	
ltr	ecn no	dr	date	linear	.XX±.01/.X±.3				
N					.XXX±.005/.XX±.13			.100 X .100 RT HDR ASS'Y	
				angles	0° ±2°				INCH/MM
				dr	E J HALEY	6-22-87	scale	code	
				enr	R FROST	6-22-87			1:1
				chr	R FROST	6-22-87	A	sheet	
				appd	R FROST	6-22-87			3 of
sheet index	revision sheet								